



Interlaken (2nd Generation) Intel® Stratix® 10 FPGA IP Design Example User Guide

Updated for Intel® Quartus® Prime Design Suite: **20.4**

IP Version: **20.0.0**



[Subscribe](#)

[Send Feedback](#)

UG-20051 | 2020.12.14

Latest document on the web: [PDF](#) | [HTML](#)



Contents

1. Quick Start Guide.....	3
1.1. Hardware and Software Requirements.....	4
1.2. Directory Structure.....	4
1.3. Hardware Design Example Components.....	6
1.4. Generating the Design.....	10
1.5. Simulating the Design Example Testbench.....	12
1.6. Compiling and Configuring the Design Example in Hardware.....	15
1.7. Testing the Hardware Design Example.....	16
2. Design Example Description.....	19
2.1. Design Example Behavior.....	19
2.2. Interface Signals.....	19
2.3. Register Map.....	20
3. Interlaken (2nd Generation) Intel Stratix 10 Design Example User Guide Archives.....	23
4. Document Revision History for Interlaken (2nd Generation) Intel Stratix 10 FPGA IP Design Example User Guide.....	24

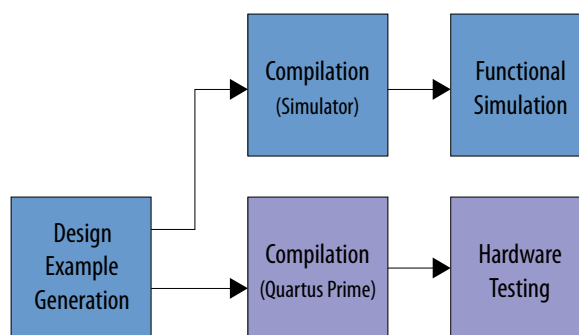
1. Quick Start Guide

The Interlaken (2nd Generation) FPGA IP core provides a simulation testbench and a hardware design example that supports compilation and hardware testing. When you generate the design example, the parameter editor automatically creates the files necessary to simulate, compile, and test the design in hardware. The design example is also available for Interlaken Look-aside feature.

You can download the compiled hardware design and run it on the Intel® Stratix® 10 GX/TX Transceiver Signal Integrity Development Kit.

The testbench and design example supports numerous variants (parameter combinations) of the Interlaken IP core for H-tile, L-tile and E-tile device variations including NRZ and PAM4 mode. The Interlaken (2nd Generation) Intel® Stratix® 10 FPGA IP core generates design examples for all supported combinations of number of lanes and data rates.

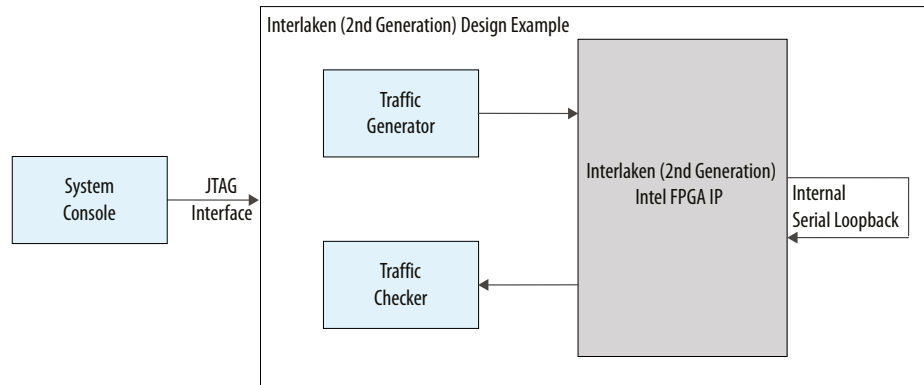
Figure 1. Development Steps for the Design Example



The Interlaken (2nd Generation) IP core design example supports the following features:

- Internal TX to RX serial loopback mode
- Automatically generates fixed size packets
- Basic packet checking capabilities
- Ability to use System Console to reset the design for re-testing purpose
- PMA adaptation

Figure 2. High-level Block Diagram for Interlaken (2nd Generation) Design Example



Related Information

- [Interlaken \(2nd Generation\) Intel FPGA IP User Guide](#)
- [Interlaken \(2nd Generation\) Intel FPGA IP Release Notes](#)

1.1. Hardware and Software Requirements

To test the example design, use the following hardware and software:

- Intel Quartus® Prime Pro Edition software version 20.4
- System Console
- Modelsim-SE*, VCS*, NCSim* and Xcelium Parallel Simulator*
- Intel Stratix 10 GX Transceiver Signal Integrity Development Kit (1SX280HU2F50E2VG) or Intel Stratix 10 TX Transceiver Signal Integrity Development Kit (1ST280EY2F55E2VG) for hardware testing

Related Information

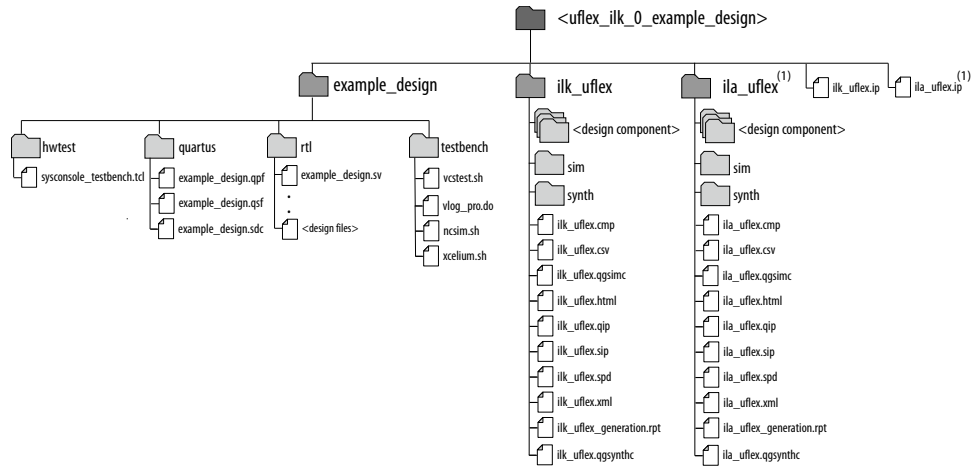
- [Intel Stratix 10 GX Transceiver Signal Integrity Development Kit User Guide](#)
- [Intel Stratix 10 TX Transceiver Signal Integrity Development Kit User Guide](#)

1.2. Directory Structure

The Interlaken (2nd Generation) IP core design example file directories contain the following generated files for the design example.



Figure 3. Directory Structure of the Generated Interlaken (2nd Generation) Example Design



(1) Generated only when you select "Enable Interlaken Look-aside mode" option in IP paramter editor.

The hardware configuration, simulation, and test files are located in
<design_example_installation_dir>/uflex_ilk_0_example_design.

Table 1. Interlaken (2nd Generation) IP Core Hardware Design Example File Descriptions

These files are in the <design_example_installation_dir>/uflex_ilk_0_example_design/example_design/quartus directory.

File Names	Description
example_design.qpf	Intel Quartus Prime project file.
example_design.qsf	Intel Quartus Prime project settings file
example_design.sdc jtag_timing_template.sdc	Synopsys Design Constraint file. You can copy and modify for your own design.
sysconsole_testbench.tcl	Main file for accessing System Console

Table 2. Interlaken (2nd Generation) IP Core Testbench File Description

This file is in the <design_example_installation_dir>/uflex_ilk_0_example_design/example_design/rtl directory.

File Name	Description
top_tb.sv	Top-level testbench file.



Table 3. Interlaken (2nd Generation) IP Core Testbench Scripts

These files are in the <design_example_installation_dir>/uflex_ilk_0_example_design/example_design/testbench directory.

File Name	Description
ncsim.sh	The Cadence NCSim script to run the testbench.
vcstest.sh	The Synopsys VCS script to run the testbench.
vlog_pro.do	The Mentor Graphics ModelSim script to run the testbench.
xcelium.sh	The Cadence Xcelium script to run the testbench.

1.3. Hardware Design Example Components

The hardware example design connects system and PLL reference clocks and required design components. After you program the device on the Intel Stratix 10 GX/TX Transceiver Signal Integrity Development Kit, the example design configures the IP core in internal loopback mode and generates packets on the IP core TX user data transfer interface. The IP core sends these packets on the internal loopback path through the transceiver.

After the IP core receiver receives the packets on the loopback path, it processes the Interlaken packets and transmits them on the RX user data transfer interface. The example design checks that the packets received and transmitted match.

The hardware example design includes external PLLs. You can examine the clear text files to view sample code that implements one possible method to connect external PLLs to the Interlaken (2nd Generation) FPGA IP.

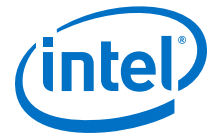


Figure 4. Interlaken (2nd Generation) IP Hardware Design Example High Level Block Diagram for L-tile and H-tile 6.25, 10.3125, 12.5 Gbps Variations

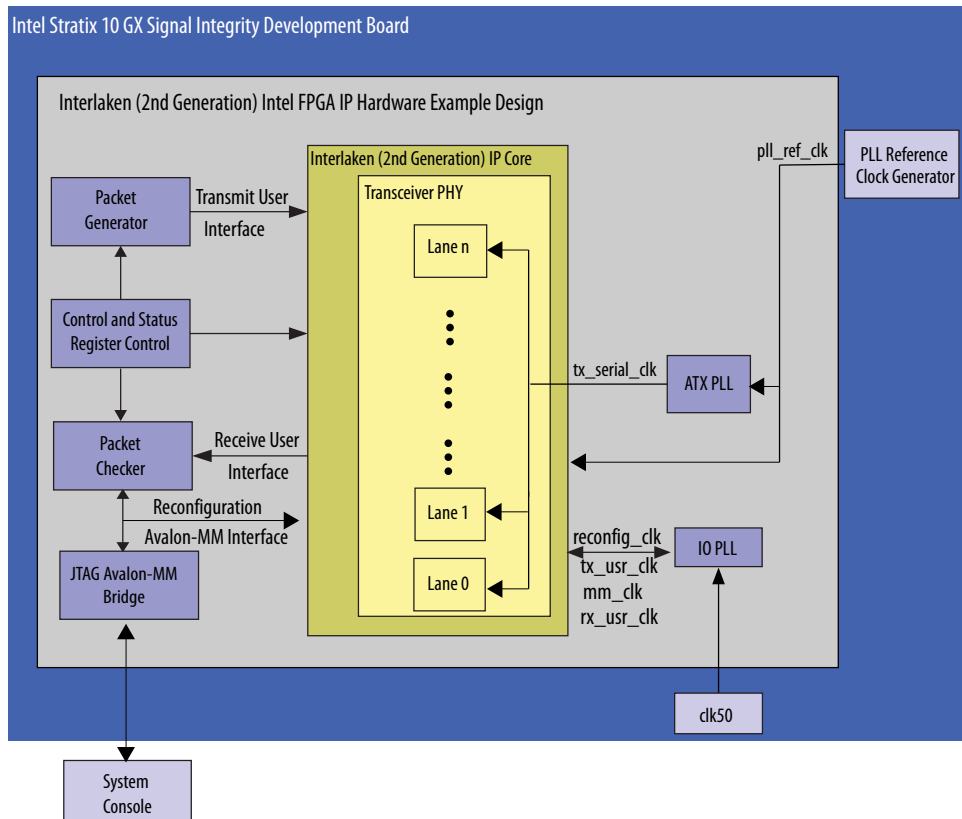
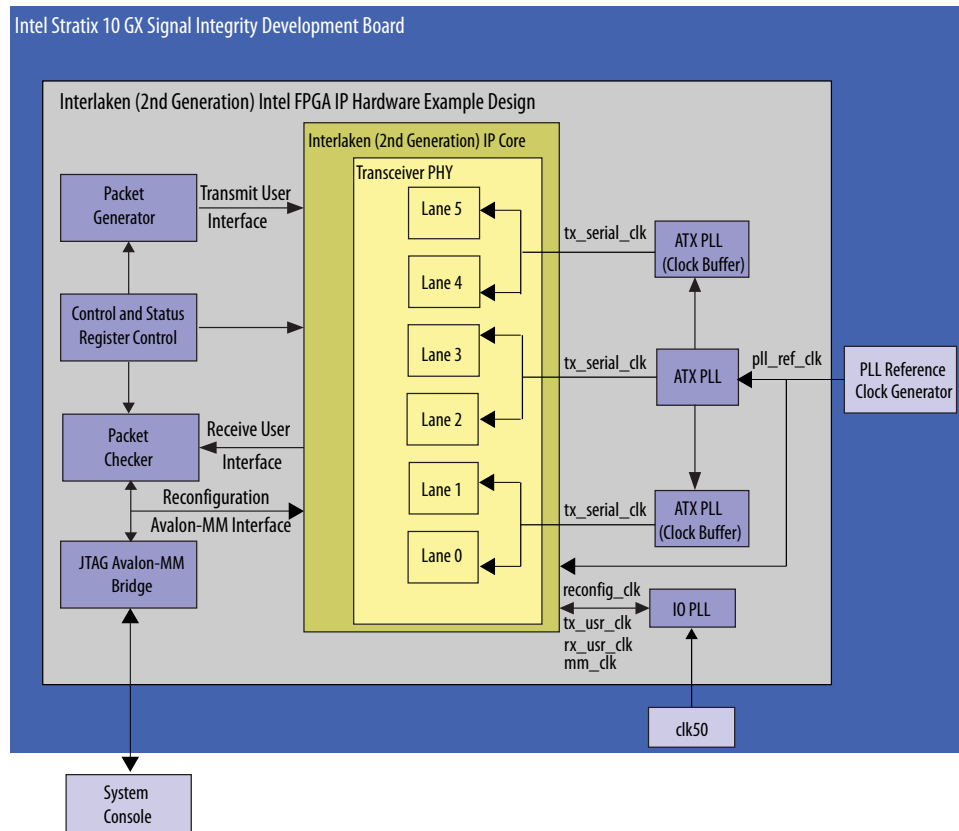


Figure 5. Interlaken (2nd Generation) Hardware Design Example High Level Block Diagram for L-tile and H-tile 25.3 and 25.8 Gbps Variations



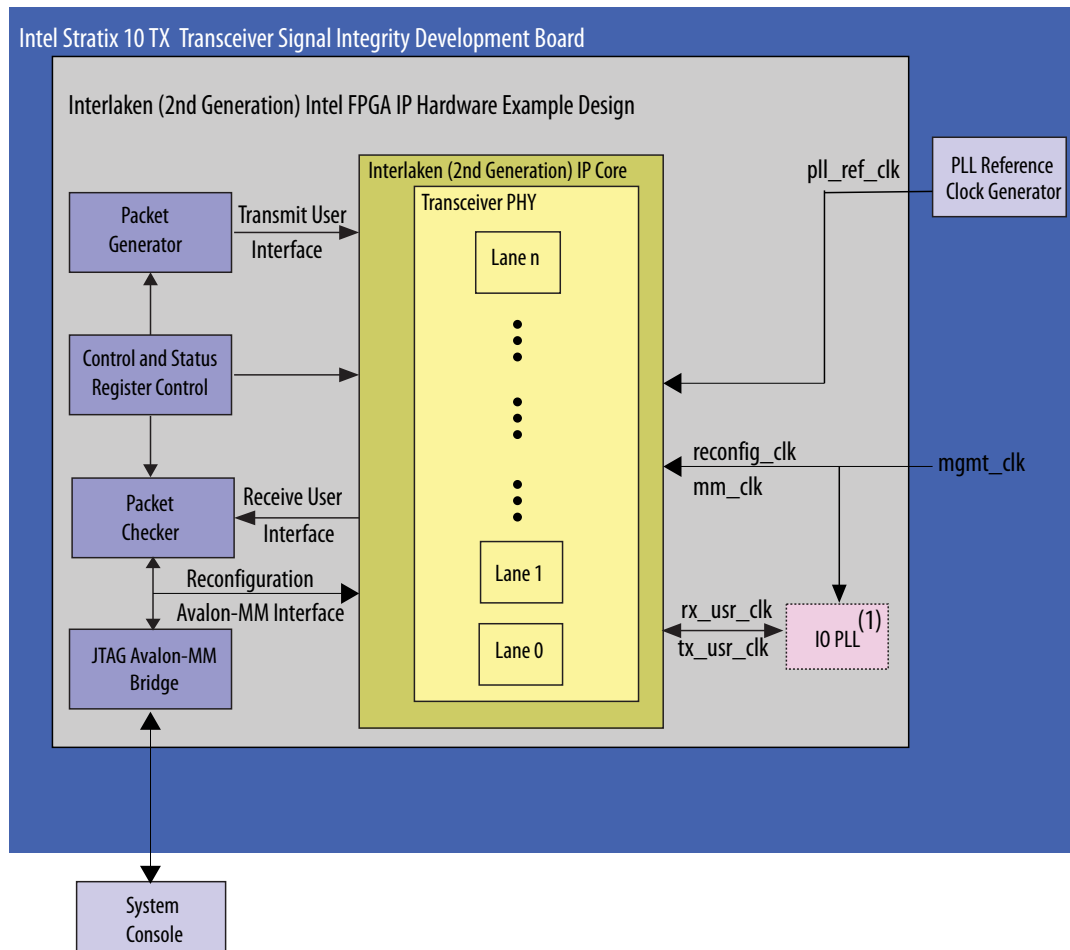
The Interlaken (2nd Generation) hardware design example includes the following components:

1. Interlaken (2nd Generation) FPGA IP
2. Packet Generator and Packet Checker
3. JTAG controller that communicates with System Console. You communicate with the client logic through the System Console.
4. ATX PLL to generate the high-speed serial clock to drive the device transceiver channel for IP core variations that target an Intel Stratix 10 L-tile and H-tile device.
 - For 25.3 and 25.8 Gbps data rate variations, one ATX PLL drives two transceiver channels.
 - The frequency value of the `tx_serial_clk` coming out of the ATX PLL is half of the data rate. For example, the value of `tx_serial_clk` for 6.25 Gbps data rate variant is 3.125 GHz.
 - The IP core connects the ATX PLL to the `tx_pll_locked` and `tx_pll_powerdown` ports. This simple connection model is only one of many options available to you for configuring and connecting the external PLLs in your Interlaken design.

Refer to *Intel Stratix 10 GX Transceiver Signal Integrity Development Kit User Guide* for more information on how to use ATX PLL for more than two channels.

Note: The Interlaken (2nd Generation) hardware design example that targets an E-tile device do not require an ATX PLL.

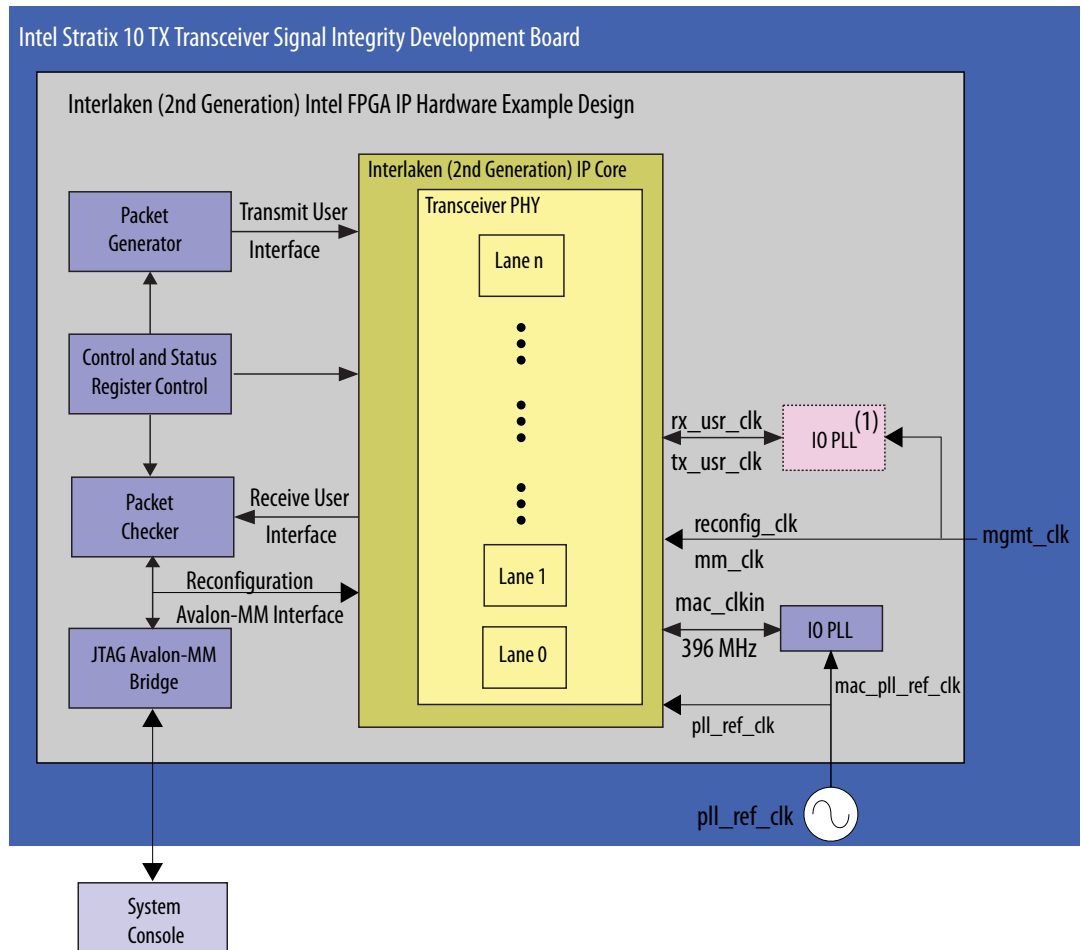
Figure 6. Interlaken (2nd Generation) Hardware Design Example High Level Block Diagram for E-tile NRZ Mode Variations



(1) IO PLL is not present if you generate design example for Interlaken Look-aside mode.

The Interlaken (2nd Generation) hardware design example that targets an E-tile PAM4 mode variations requires an additional clock `mac_clk_in` generated by IO PLL. This PLL must use the same reference clock that drives the `pll_ref_clk`.

Figure 7. Interlaken (2nd Generation) Hardware Design Example High Level Block Diagram for E-tile PAM4 Mode Variations



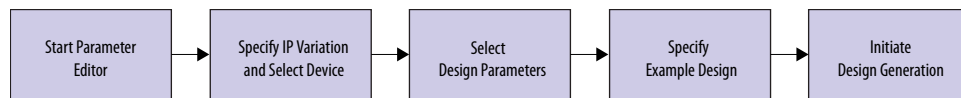
(1) IO PLL is not present if you generate design example for Interlaken Look-aside mode.

Related Information

- [Intel Stratix 10 GX Transceiver Signal Integrity Development Kit User Guide](#)
- [Intel Stratix 10 TX Transceiver Signal Integrity Development Kit User Guide](#)

1.4. Generating the Design

Figure 8. Procedure

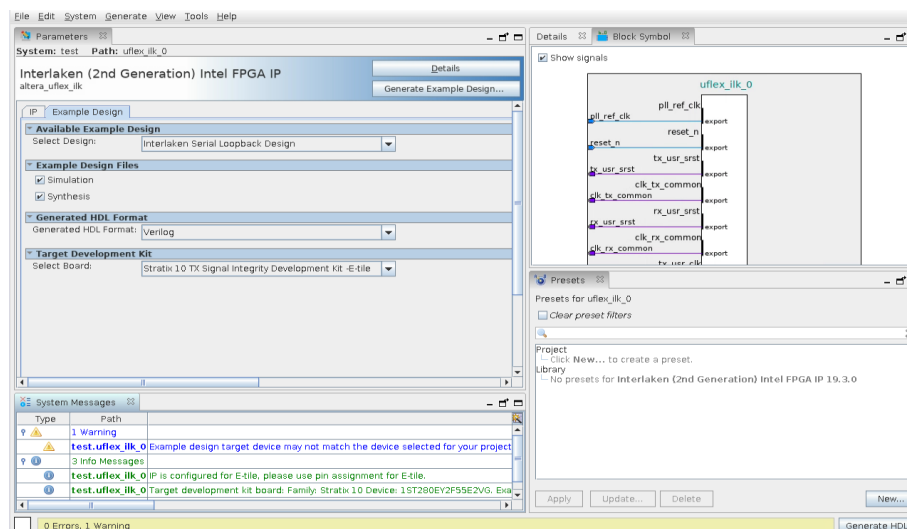




Follow these steps to generate the hardware example design and testbench:

1. In the Intel Quartus Prime Pro Edition software, click **File** > **New Project Wizard** to create a new Intel Quartus Prime project, or click **File** > **Open Project** to open an existing Intel Quartus Prime project. The wizard prompts you to specify a device.
2. Specify the device family **Stratix 10 (GX/SX/MX/TX)** and select device for your design.
3. In the IP Catalog, locate and double-click **Interlaken (2nd Generation) Intel FPGA IP**. The **New IP Variant** window appears.
4. Specify a top-level name <your_ip> for your custom IP variation. The parameter editor saves the IP variation settings in a file named <your_ip>.ip.
5. Click **OK**. The parameter editor appears.

Figure 9. Example Design Tab in the Interlaken (2nd Generation) Intel FPGA IP Parameter Editor



6. On the **IP** tab, specify the parameters for your IP core variation.
7. On the **PMA Adaptation** tab, specify the PMA adaptation parameters if you plan to use PMA adaptation for your E-tile device variations. This step is optional:
 - Select **Enable adaptation load soft IP** option.
Note: You must enable **Enable Native PHY Debug Master Endpoint (NPDME)** option on the IP tab when PMA adaptation is enabled.
 - Select a PMA adaptation preset for **PMA adaptation Select** parameter.
 - Click **PMA Adaptation Preload** to load the initial and continuous adaptation parameters.
 - Specify the number of PMA configurations to support when multiple PMA configurations are enabled using **Number of PMA configuration** parameter.
 - Select which PMA configuration to load or store using **Select a PMA configuration to load or store**.
 - Click **Load adaptation from selected PMA configuration** to load the selected PMA configuration settings.



For more information about the PMA adaptation parameters, refer to the *E-tile Transceiver PHY User Guide*.

8. On the **Example Design** tab, select the **Simulation** option to generate the testbench, and select the **Synthesis** option to generate the hardware example design.

Note: You must select at least one of the **Simulation** or **Synthesis** options generate the Example Design Files.

9. For **Generated HDL Format**, only **Verilog** is available.
10. For **Target Development Kit** select the appropriate option.

Note: The Intel Stratix 10 GX/TX Transceiver Signal Integrity Development Kit is only available when your project specifies Intel Stratix 10 device part number starting with:

- 1SG165H/1SG210H/1SG250H/1SG280H/1SX165H/1SX210H/1SX250H/1SX280H/1ST280E/1ST250E (For H-tile)
- ST280E/1ST250E (For E-tile)

When you select the Development Kit option, the pin assignments are set according to the Intel Stratix 10 Development Kit device part number and may differ from your selected device. If you intend to test the design on hardware on a different PCB, select **No development kit** option and make the appropriate pin assignments in the .qsf file.

11. Click **Generate Example Design**. The **Select Example Design Directory** window appears.
12. If you want to modify the design example directory path or name from the defaults displayed (`uflex_ilk_0_example_design`), browse to the new path and type the new design example directory name.
13. Click **OK**.

Related Information

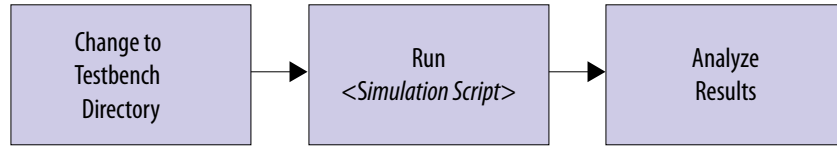
- [Intel Stratix 10 GX Transceiver Signal Integrity Development Kit User Guide](#)
- [Parameter Settings](#)
Refer to this section for information on Interlaken (2nd generation) Intel FPGA IP parameters.
- [E-tile Transceiver PHY User Guide](#)
- [Intel Stratix 10 TX Transceiver Signal Integrity Development Kit User Guide](#)

1.5. Simulating the Design Example Testbench

Refer to *Interlaken (2nd Generation) Hardware Design Example High Level Block for E-tile NRZ Mode Variations* and *Interlaken (2nd Generation) Hardware Design Example High Level Block for E-tile PAM4 Mode Variations* block diagrams of the simulation testbench.



Figure 10. Procedure



Follow these steps to simulate the testbench:

1. At the command prompt, change to the testbench simulation directory. The directory is `<design_example_installation_dir>/example_design/testbench` for Intel Stratix 10 devices.
2. Run the simulation script for the supported simulator of your choice. The script compiles and runs the testbench in the simulator. Your script should check that the SOP and EOP counts match after simulation is complete. Refer to the table *Steps to Run Simulation*.

Table 4. Steps to Run Simulation

Simulator	Instructions
ModelSim-SE*	In the command line, type <code>-do vlog_pro.do</code> If you prefer to simulate without bringing up the ModelSim GUI, type <code>vsim -c -do vlog_pro.do</code>
VCS	In the command line, type <code>sh vcstest.sh</code>
NCSim	In the command line, type <code>sh ncsim.sh</code>
Xcelium* Parallel Simulator	In the command line, type <code>sh xcelium.sh</code>

3. Analyze the results. A successful simulation sends and receives packets, and displays "Test PASSED".

The testbench for the design example completes the following tasks:

- Instantiates the Interlaken (2nd Generation) Intel FPGA IP.
- Prints PHY status.
- Checks metaframe synchronization (`SYNC_LOCK`) and word (block) boundaries (`WORD_LOCK`).
- Waits for individual lanes to be locked and aligned.
- Starts transmitting packets.
- Checks packet statistics:
 - CRC24 errors
 - SOPs
 - EOPs

The following sample output illustrates a successful simulation test run in Interlaken mode:

```

*****
                INFO: Waiting for lanes to be aligned
                All of the receiver lanes are aligned and are ready
to receive traffic.
*****

*****
                INFO: Start transmitting packets
  
```



```
*****
*****
INFO: Stop transmitting packets
*****
*****
INFO: Checking packets statistics
*****

CRC 24 errors reported: 0
SOPs transmitted: 100
EOPs transmitted: 100
SOPs received: 100
EOPs received: 100
ECC error count: 0

*****
INFO: Test PASSED
*****
```

Note: The Interlaken design example simulation testbench sends 100 packets and receives 100 packets.

The following sample output illustrates a successful simulation test run in Interlaken Look-aside mode:

```
Check TX and RX Counter equal or not
-----
READ_MM: address 4000014 = 00000001

-----
De-assert Counter equal bit
-----
WRITE_MM: address 4000001 gets 00000001
WRITE_MM: address 4000001 gets 00000000

-----
RX_SOP COUNTER
-----
READ_MM: address 400000c = 0000006a

-----
RX_EOP COUNTER
READ_MM: address 400000d = 0000006a
-----

READ_MM: address 4000010 = 00000000

-----
Display Final Report
-----
0 Detected Error
0 CRC24 errors reported
106 SOPs transmitted
106 EOPs transmitted
106 SOPs received
106 EOPs received

-----
Finish Simulation
-----

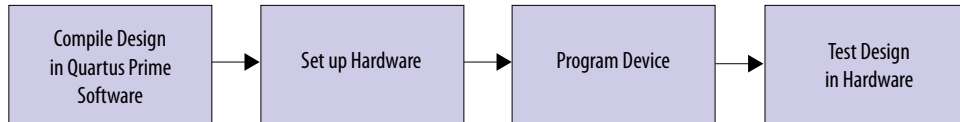
TEST PASSED
-----
```



Note: The number of packets (SOPs and EOPs) varies per lane in Interlaken Look-aside design example simulation sample output.

1.6. Compiling and Configuring the Design Example in Hardware

Figure 11. Procedure



To compile and run a demonstration test on the hardware example design, follow these steps:

1. Ensure hardware example design generation is complete.
2. In the Intel Quartus Prime Pro Edition software, open the Intel Quartus Prime project `<design_example_installation_dir>/example_design/quartus/example_design.qpf`.
3. On the **Processing** menu, click **Start Compilation**.
4. After successful compilation, a `.sof` file is available in your specified directory. Follow these steps to program the hardware example design on the Intel Stratix 10 device:
 - a. Connect Development Kit to the host computer.
 - b. Launch the Clock Control application, which is part of the development kit, and set new frequencies for the design example. Below is the frequency setting in the Clock Control application:
 - If you are targeting your design on Intel Stratix 10 GX Signal Integrity Development Kit with H-tile device:
 - Si5341 (U5), OUT5- Set to the value of `p11_ref_clk`⁽¹⁾ per your design requirement
 - If you are targeting your design on Intel Stratix 10 TX Signal Integrity Development Kit with H-tile device:
 - Si5341 (U3), OUT3- 50 MHz
 - Si5341 (U3), OUT9- Set to the value of `p11_ref_clk`⁽¹⁾ per your design requirement
 - If you are targeting your design on Intel Stratix 10 TX Signal Integrity Development Kit with E-tile:
 - Si5341 (U3), OUT3- 100 MHz
 - Si5341 (U3), OUT7- Set to the value of `p11_ref_clk`⁽¹⁾ per your design requirement (in NRZ mode)
 - Si5341 (U3), OUT4- Set to the value of `p11_ref_clk`⁽¹⁾ per your design requirement (in PAM4 mode)
 - Si5341 (U3), OUT2- Set to the value of `mac_p11_ref_clk`⁽¹⁾ per your design requirement (in PAM4 mode only)

⁽¹⁾ Not all frequencies can be derived by the Clock Control GUI application.



- c. On the **Tools** menu, click **Programmer**.
- d. In the **Programmer**, click **Hardware Setup**.
- e. Select a programming device.
- f. Select and add the **Intel Stratix 10 GX Signal Integrity Development Kit** or **Intel Stratix 10 TX Signal Integrity Development Kit** to which your Intel Quartus Prime session can connect.
- g. Ensure that **Mode** is set to **JTAG**.
- h. Select the Intel Stratix 10 device and click **Add Device**. The Programmer displays a block diagram of the connections between the devices on your board.
- i. In the row with your `.sof`, check the box for the `.sof`.
- j. Check the box in the **Program/Configure** column.
- k. Click **Start**.

Related Information

- [Programming Intel FPGA Devices](#)
- [Analyzing and Debugging Designs with System Console](#)
- [Intel Stratix 10 TX Transceiver Signal Integrity Development Kit User Guide](#)
- [Intel Stratix 10 GX Transceiver Signal Integrity Development Kit User Guide](#)

1.7. Testing the Hardware Design Example

After you compile the Interlaken (2nd Generation) Intel FPGA IP core design example and configure your device, you can use the System Console to program the IP core and its embedded Native PHY IP core registers.

Follow these steps to bring up the System Console and test the hardware design example:

1. In the Intel Quartus Prime Pro Edition software, on the **Tools** menu, click **System Debugging Tools > System Console**.
2. Change to the `<design_example_installation_dir>example_design/hwtest` directory.
3. To open a connection to the JTAG master, type the following command:

```
source sysconsole_testbench.tcl
```

4. You can turn on internal serial loopback mode with the following design example commands:
 - a. `stat`: Prints general status info.
 - b. `sys_reset`: Resets the system.
 - c. `loop_on`: Turns on internal serial loopback.
Note: You don't need to run this command in Intel Stratix 10 H-tile device variations.
 - d. `run_example_design`: Runs the design example.



Note: In Intel Stratix 10 H-tile device variations, you just need to run `run_example_design` command. The `run_example_design` runs the following commands in a sequence: `sys_reset->loop_on->stat->gen_on->stat->gen_off`.

In Intel Stratix 10 E-tile device variations, you must run `loop_on` command before `run_example_design` command. The `run_example_design` runs the following commands in a sequence: `sys_reset->stat->gen_on->stat->gen_off`.

Note: When you select the **Enable adaptation load soft IP** option, the `run_example_design` command performs the initial adaptation calibration on RX side by running the `run_load_PMA_configuration` command.

5. You can turn off internal serial loopback mode with the following design example command:
 - a. `loop_off`: Turns off internal serial loopback.
6. You can program the IP core with the following additional design example commands:
 - a. `gen_on`: Enables packet generator.
 - b. `gen_off`: Disables packet generator.
 - c. `run_test_loop`: Runs the test for `<N>` times for E-tile NRZ and PAM4 variations.
 - d. `clear_err`: Clears all sticky error bits.
 - e. `set_test_mode <min_pkt_size> <max_pkt_size> <step> <num_to_run>`: Sets up test to run in a specific mode.
 - f. `get_test_mode`: Prints the current test mode.
 - g. `set_burst_size <burst_size>`: Sets burst size in bytes.
 - h. `get_burst_size`: Prints burst size information.

The successful test prints `HW_TEST:PASS` message. Below is the passing criteria for a test run:

- No errors for CRC32, CRC24, and checker.
- Transmitted SOPs and EOPs should be match with received.

The following sample output illustrates a successful test run in Interlaken mode:

```
INFO: INFO: Stop generating packtes

==== STATUS REPORT ====
TX KHz      : 402813
RX KHz      : 402813
Freq locks  : 0x0000ff
TX PLL lock : 0x000001
Align      : 0x00c10f
Rx LOA     : 0x000000
Tx LOA     : 0x000000

word lock   : 0x0000ff
sync lock   : 0x0000ff

CRC32 errors : 0
```



```
CRC24 errors : 0
Checker errors : 0

FIFO err flags : 0x000000
SOPs transmitted : 1087913770
EOPs transmitted : 1087913770
SOPs received : 1087913770
EOPs received : 1087913770
ECC corrected : 0
ECC error : 0

Elapsed 161 sec since powerup

HW_TEST : PASS
```

The successful test prints HW_TEST : PASS message. Below is the passing criteria for a test run:

- No errors for CRC32, CRC24, and checker.
- Transmitted SOPs and EOPs should be match with received.

The following sample output illustrates a successful test run in Interlaken Look-aside mode:

```
INFO: INFO: Stop generating packtes

==== STATUS REPORT ====
TX KHz : 402813
RX KHz : 402812
Freq locks : 0x000fff
TX PLL lock : 0x000001
Align : 0x00c10f
Rx LOA : 0x000000
Tx LOA : 0x000000

word lock : 0x000fff
sync lock : 0x000fff

CRC32 errors : 0
CRC24 errors : 0
Checker errors : 0

SOPs transmitted : 461
EOPs transmitted : 461
SOPs received : 461
EOPs received : 461

Elapsed 171 sec since powerup

HW_TEST : PASS
```

2. Design Example Description

The design example demonstrates the functionalities of the Interlaken IP core.

Related Information

[Interlaken \(2nd Generation\) Intel FPGA IP User Guide](#)

2.1. Design Example Behavior

To test the design in hardware, type the following commands in the System Console::

1. Source the setup file:

```
% source <design_example>uflex_ilk_0_example_design/example_design/hwtest/
sysconsole_testbench.tcl
```

2. Run the test:

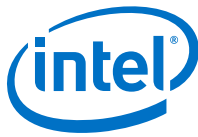
```
% run_example_design
```

3. The Interlaken (2nd Generation) hardware design example completes the following steps:
 - a. Resets the Interlaken (2nd Generation) IP.
 - b. Configures the Interlaken (2nd Generation) IP in internal loopback mode.
 - c. Sends a stream of Interlaken packets with predefined data in the payload to the TX user data transfer interface of the IP core.
 - d. Checks the received packets and reports the status. The packet checker included in the hardware design example provides the following basic packet checking capabilities:
 - Checks that the transmitted packet sequence is correct.
 - Checks that the received data matches the expected values by ensuring both the start of packet (SOP) and end of packet (EOP) counts align while data is being transmitted and received.

2.2. Interface Signals

Table 5. Design Example Interface Signals

Port Name	Direction	Width (Bits)	Description
clk50	Input	1	System clock input. Clock frequency must be 50 MHz.
<i>continued...</i>			



Port Name	Direction	Width (Bits)	Description
			This pin refers to CLK_50M_S10 on the Intel Stratix 10 GX Transceiver Signal Integrity Development Kit and CLK_BOT_PLL_100M_P on the Intel Stratix 10 TX Transceiver Signal Integrity Development Kit .
mgmt_clk	Input	1	System clock input. Clock frequency must be 100 MHz. This signal is only available in Intel Stratix 10 E-tile device variations. This pin refers to CLK_BOT_PLL_100M_P on the Intel Stratix 10 TX Transceiver Signal Integrity Development Kit.
pll_ref_clk	Input	1	Transceiver reference clock. Drives the RX CDR PLL.
rx_pin	Input	Number of lanes	Receiver SERDES data pin.
tx_pin	Output	Number of lanes	Transmit SERDES data pin.
rx_pin_n	Input	Number of lanes	Receiver SERDES data pin. This signal is only available in E-tile PAM4 mode device variations.
tx_pin_n	Output	Number of lanes	Transmit SERDES data pin. This signal is only available in E-tile PAM4 mode device variations.
mac_clk_pll_ref	Input	1	This signal must be driven by a PLL and must use the same clock source that drives the pll_ref_clk. This signal is only available in E-tile PAM4 mode device variations.
usr_pb_reset_n	Input	1	System reset.

Related Information

[Interface Signals](#)

2.3. Register Map

- Note:*
- Design Example register address starts with 0x20** while the Interlaken IP core register address starts with 0x10**.
 - Access code: RO—Read Only, and RW—Read/Write.
 - System console reads the design example registers and reports the test status on the screen.

Table 6. Design Example Register Map for Interlaken Design Example

Offset	Name	Access	Description
8'h00			Reserved
8'h01			Reserved
8'h02	System PLL reset	RO	Following bits indicates system PLL reset request and enable value: <ul style="list-style-type: none"> • Bit [0] - sys_pll_rst_req • Bit [1] - sys_pll_rst_en

continued...



Offset	Name	Access	Description
8'h03	RX lane aligned	RO	Indicates the RX lane alignment.
8'h04	WORD locked	RO	[NUM_LANES-1:0] – Word (block) boundaries identification.
8'h05	Sync locked	RO	[NUM_LANES-1:0] – Metaframe synchronization.
8'h06 - 8'h09	CRC32 error count	RO	Indicates the CRC32 error count.
8'h0A	CRC24 error count	RO	Indicates the CRC24 error count.
8'h0B	Overflow/Underflow signal	RO	Following bits indicate: <ul style="list-style-type: none"> • Bit [3] - TX underflow signal • Bit [2] - TX overflow signal • Bit [1] - RX overflow signal
8'h0C	SOP count	RO	Indicates the number of SOP.
8'h0D	EOP count	RO	Indicates the number of EOP
8'h0E	Error count	RO	Indicates the number of following errors: <ul style="list-style-type: none"> • Loss of lane alignment • Illegal control word • Illegal framing pattern • Missing SOP or EOP indicator
8'h0F	send_data_mm_clk	RW	Write 1 to bit [0] to enable the generator signal.
8'h10	Checker error		Indicates the checker error. (SOP data error, Channel number error, and PLD data error)
8'h11	System PLL lock	RO	Bit [0] indicates PLL lock indication.
8'h14	TX SOP count	RO	Indicates number of SOP generated by the packet generator.
8'h15	TX EOP count	RO	Indicates number of EOP generated by the packet generator.
8'h16	Continuous packet	RW	Write 1 to bit [0] to enable the continuous packet.
8'h39	ECC error count	RO	Indicates number of ECC errors.
8'h40	ECC corrected error count	RO	Indicates number of corrected ECC errors.

Table 7. Design Example Register Map for Interlaken Look-aside Design Example

Use this register map when you generate the design example with **Enable Interlaken Look-aside mode** parameter turned on.

Offset	Name	Access	Description
8'h00	Reserved		
8'h01	Counter reset	RO	Write 1 to bit [0] to clear TX and RX counter equal bit.
8'h02	System PLL reset	RO	Following bits indicates system PLL reset request and enable value: <ul style="list-style-type: none"> • Bit [0] - sys_pll_rst_req • Bit [1] - sys_pll_rst_en
8'h03	RX lane aligned	RO	Indicates the RX lane alignment.
8'h04	WORD locked	RO	[NUM_LANES-1:0] – Word (block) boundaries identification.
8'h05	Sync locked	RO	[NUM_LANES-1:0] – Metaframe synchronization.
<i>continued...</i>			



Offset	Name	Access	Description
8'h06 - 8'h09	CRC32 error count	RO	Indicates the CRC32 error count.
8'h0A	CRC24 error count	RO	Indicates the CRC24 error count.
8'h0B	Reserved		
8'h0C	SOP count	RO	Indicates the number of SOP.
8'h0D	EOP count	RO	Indicates the number of EOP
8'h0E	Error count	RO	Indicates the number of following errors: <ul style="list-style-type: none">• Loss of lane alignment• Illegal control word• Illegal framing pattern• Missing SOP or EOP indicator
8'h0F	send_data_mm_clk	RW	Write 1 to bit [0] to enable the generator signal.
8'h10	Checker error	RO	Indicates the checker error. (SOP data error, Channel number error, and PLD data error)
8'h11	System PLL lock	RO	Bit [0] indicates PLL lock indication.
8'h13	Latency count	RO	Indicates number of latency.
8'h14	TX SOP count	RO	Indicates number of SOP generated by the packet generator.
8'h15	TX EOP count	RO	Indicates number of EOP generated by the packet generator.
8'h16	Continuous packet	RO	Write 1 to bit [0] to enable the continuous packet.
8'h17	TX and RX counter equal	RW	Indicates TX and RX counter are equal.
8'h23	Enable latency	WO	Write 1 to bit [0] to enable latency measurement.
8'h24	Latency ready	RO	Indicates latency measurement are ready.

Related Information

[Register Map](#)



3. Interlaken (2nd Generation) Intel Stratix 10 Design Example User Guide Archives

IP versions are the same as the Intel Quartus Prime Design Suite software versions up to v19.1. From Intel Quartus Prime Design Suite software version 19.2 or later, IP cores have a new IP versioning scheme.

If an IP core version is not listed, the user guide for the previous IP core version applies.

Quartus Version	IP Core Version	User Guide
20.2	19.3.0	Interlaken (2nd Generation) Intel Stratix 10 FPGA IP Design Example User Guide
19.3	19.2.1	Interlaken (2nd Generation) Intel Stratix 10 FPGA IP Design Example User Guide
18.1	18.1.1	Interlaken (2nd Generation) Intel Stratix 10 FPGA IP Design Example User Guide

4. Document Revision History for Interlaken (2nd Generation) Intel Stratix 10 FPGA IP Design Example User Guide

Document Version	Intel Quartus Prime Version	IP Version	Changes
2020.12.14	20.4	20.0.0	<ul style="list-style-type: none"> Updated sample hardware test output for Interlaken mode and Interlaken Look-aside mode in section <i>Testing the Hardware Design Example</i>. Updated register map for Interlaken Look-aside design example in section <i>Register Map</i>. Added a passing criteria for a successful hardware test run in section <i>Testing the Hardware Design Example</i>.
2020.10.16	20.2	19.3.0	Following changes made in <i>Testing the Hardware Design Example</i> section: <ul style="list-style-type: none"> Added a note to turn on internal serial loopback in H-tile IP variations. Corrected command to run the initial adaptation calibration on RX side.
2020.06.22	20.2	19.3.0	<ul style="list-style-type: none"> The design example is available for Interlaken Look-aside mode. Added <i>Figure: High-level Block Diagram for Interlaken (2nd Generation) Design Example</i>. Updated following sections: <ul style="list-style-type: none"> <i>Hardware and Software Requirements</i> <i>Directory Structure</i> Modified the following figures to include Interlaken Look-aside related update: <ul style="list-style-type: none"> <i>Figure: Interlaken (2nd Generation) Hardware Design Example High Level Block Diagram for E-tile NRZ Mode Variations</i> <i>Figure: Interlaken (2nd Generation) Hardware Design Example High Level Block Diagram for E-tile PAM4 Mode Variations</i> Updated <i>Figure: IP Parameter Editor</i>. Added test run outputs for the Interlaken Look-aside in the following sections: <ul style="list-style-type: none"> <i>Simulating the Design Example Testbench</i> <i>Testing the Hardware Design Example</i>

continued...

4. Document Revision History for Interlaken (2nd Generation) Intel Stratix 10 FPGA IP Design Example User Guide

UG-20051 | 2020.12.14



Document Version	Intel Quartus Prime Version	IP Version	Changes
			<ul style="list-style-type: none"> Added information about the frequency settings in the clock control application in section <i>Compiling and Configuring the Design Example in Hardware</i>. Added following new signals in <i>Interface Signals</i> section: <ul style="list-style-type: none"> – <code>mgmt_clk</code> – <code>tx_pin_n</code> – <code>rx_pin_n</code> – <code>mac_clk_pll_ref</code> Added register map for Interlaken Look-aside design example in section: <i>Register Map</i>.
2020.03.10	19.3	19.2.1	Corrected ATX PLL connection in <i>Figure: Interlaken (2nd Generation) Hardware Design Example High Level Block Diagram for L-tile and H-tile 25.3 and 25.8 Gbps Variations</i> .
2019.09.30	19.3	19.2.1	Removed <code>clk100</code> . The <code>mgmt_clk</code> serves as a reference clock to the IO PLL in the following: <ul style="list-style-type: none"> <i>Figure: Interlaken (2nd Generation) Hardware Design Example High Level Block Diagram for E-tile NRZ Mode Variations</i>. <i>Figure: Interlaken (2nd Generation) Hardware Design Example High Level Block Diagram for E-tile PAM4 Mode Variations</i>.
			continued...



Document Version	Intel Quartus Prime Version	IP Version	Changes
2019.04.19	18.1.1	18.1.1	Fixed typos in the section <i>Hardware Design Example Components</i> .
2018.12.24	18.1.1	18.1.1	<ul style="list-style-type: none"> Added new PMA adaptation feature in Intel Stratix 10 E-tile device variations. Added a note in <i>Testing the Hardware Design Example</i> section about system console command that performs initial adaptation.
2018.09.24	18.1	18.1	<ul style="list-style-type: none"> Renamed the document title to <i>Interlaken (2nd Generation) Intel Stratix 10 FPGA IP Design Example User Guide</i>. Added support for Intel Stratix 10 devices with E-tile transceivers. Intel Stratix 10 TX and GX Transceiver Signal Integrity Development Kit support is now available to test the design example on hardware. Modified <i>Figure: Directory Structure of the Generated Example Design</i>. Added <i>Table: Interlaken (2nd Generation) IP Core Hardware Design Example File Descriptions</i> and <i>Table: Table: Interlaken (2nd Generation) IP Core Testbench File Descriptions</i>. Added support for Cadence Xcelium Parallel Simulator. Added new section <i>Hardware Design Example Components</i> Added a note in <i>Generating the Design</i> section to clarify hardware support provided with the design example. Update the <i>Simulating the Design Example Testbench</i> section to include: <ul style="list-style-type: none"> Scripts to run NCSim and Xcelium simulations. Design example testbench function. Added sample output of a successful simulation test run. Added new section <i>Testing the Hardware Design Example</i>. Added following register information in <i>Table: Design Example Register Map</i>: <ul style="list-style-type: none"> ECC error count ECC corrected error count TX SOP Count TX EOP Count

Table 8. Revision History

Date	Changes
2017.09.19	<ul style="list-style-type: none"> Made following changes to <i>Simulating the Design</i> section: <ul style="list-style-type: none"> Corrected simulation directory location. Updated command to simulate the testbench in VCS simulator. Modified testbench display message.
2016.10.31	Initial release