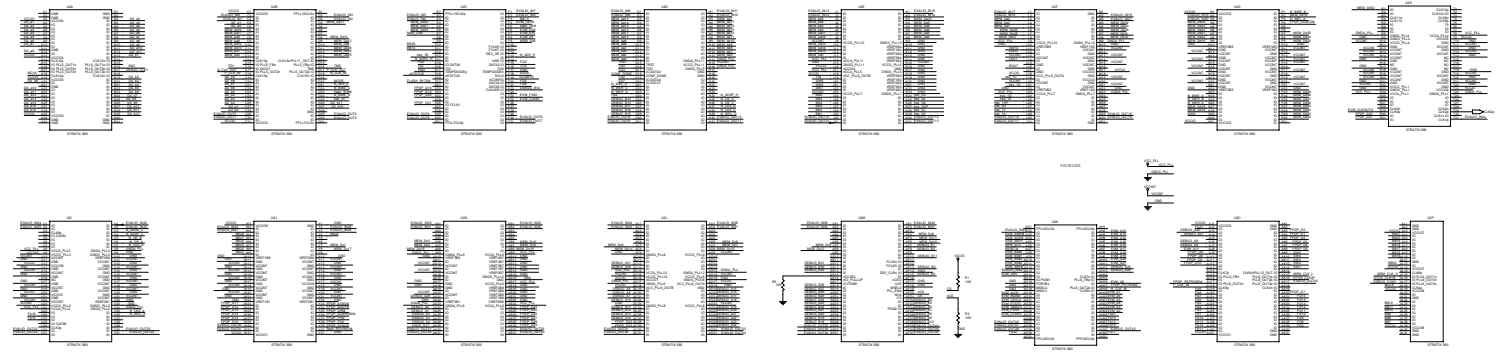
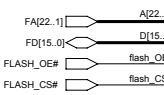
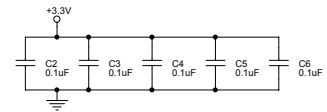
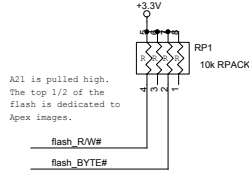
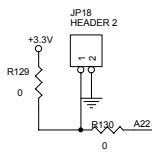


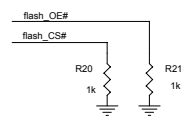
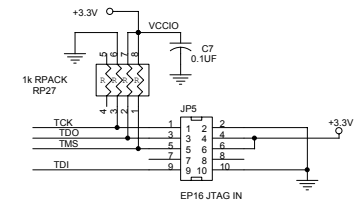
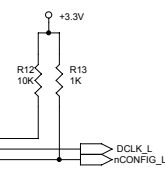
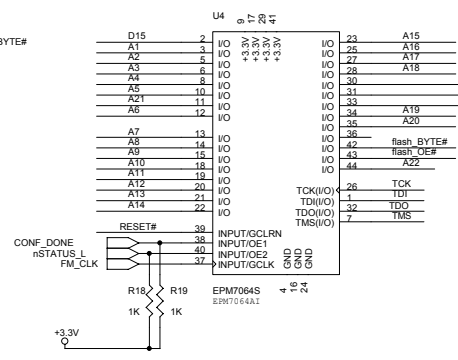
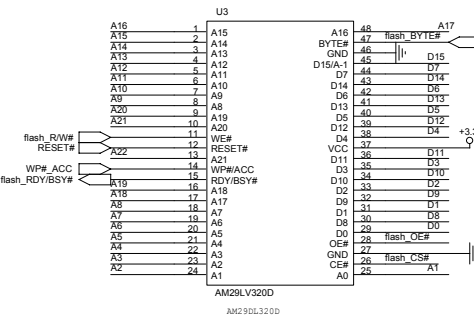
File	DSI90C03	
Doc	Document Number	Rev
C	Doc	1.2
Date	Wednesday, May 14, 2003	Sheet 1 of 17



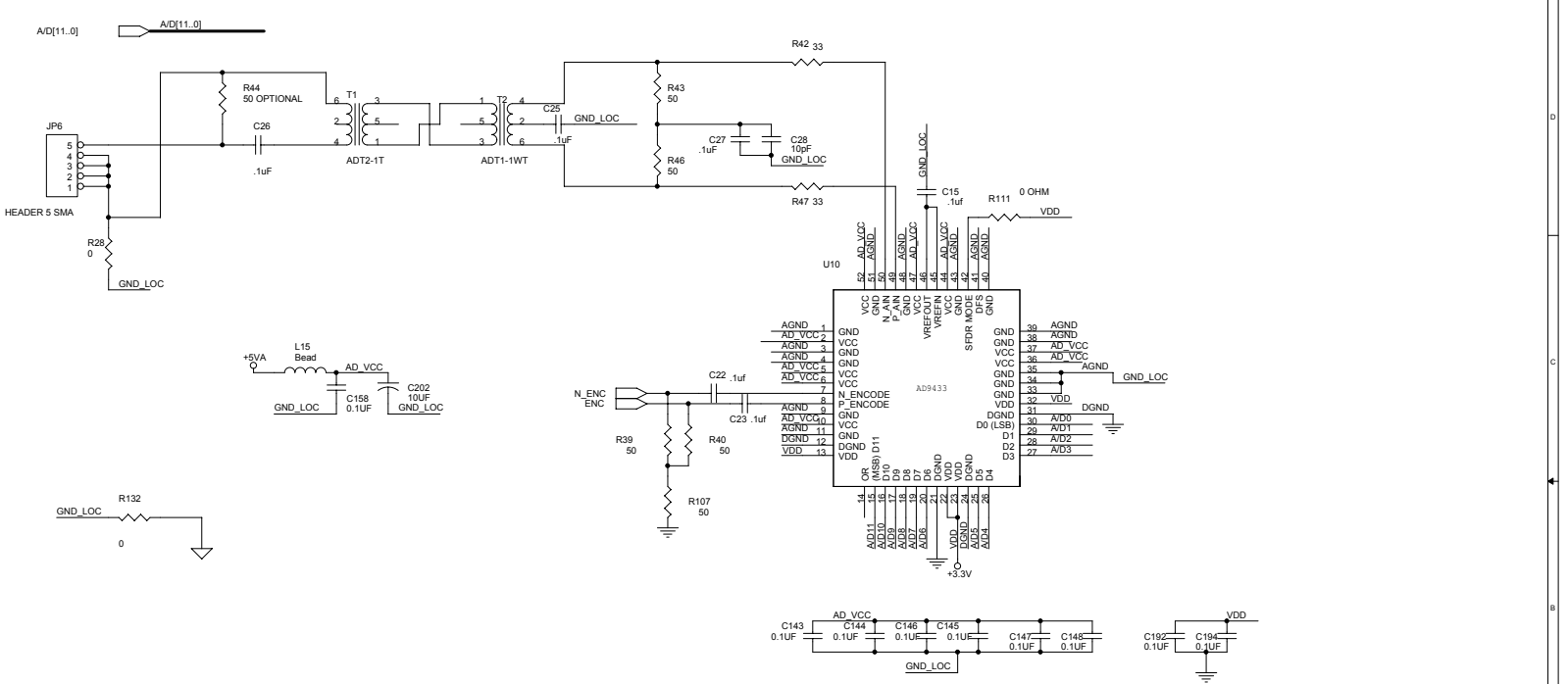
Rev	1
Date	
Author	
Checked	



D15/A-1 pin is described as D15.
 Note that it is a virtual "A0" when the CPLD loads the Apex (BYTE mode), but becomes "D15" when the CPU is running in the Apex (WORD mode).



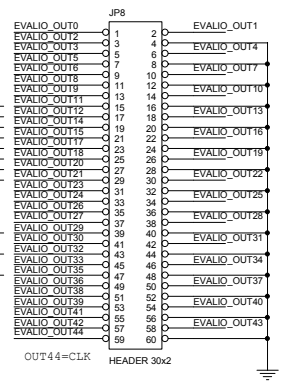
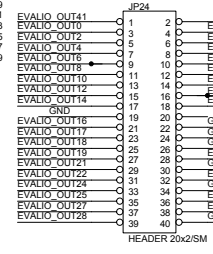
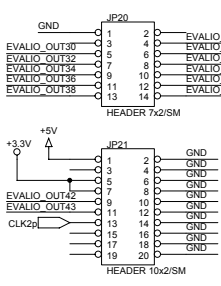
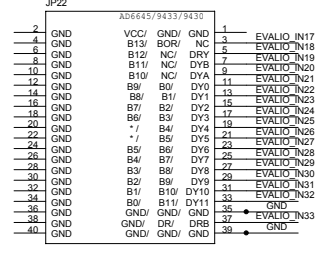
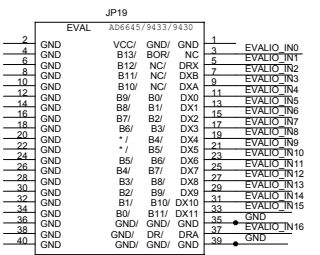
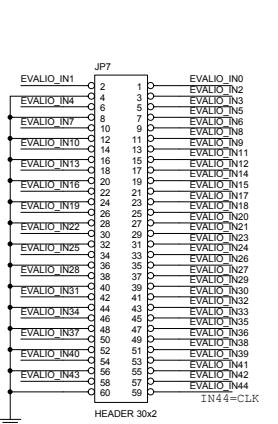
File	<Title>	
Size	Document Number	Rev
	<Doc>	<RevCode>
Date:	Saturday, May 03, 2003	Sheet 3 of 17



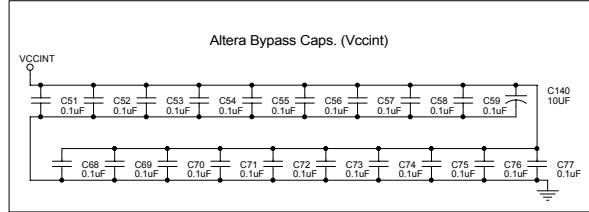
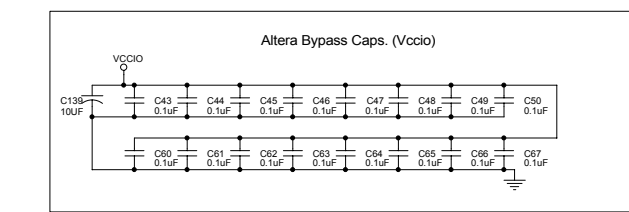
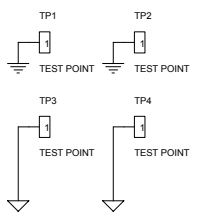
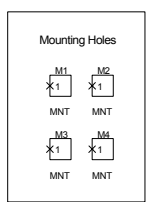
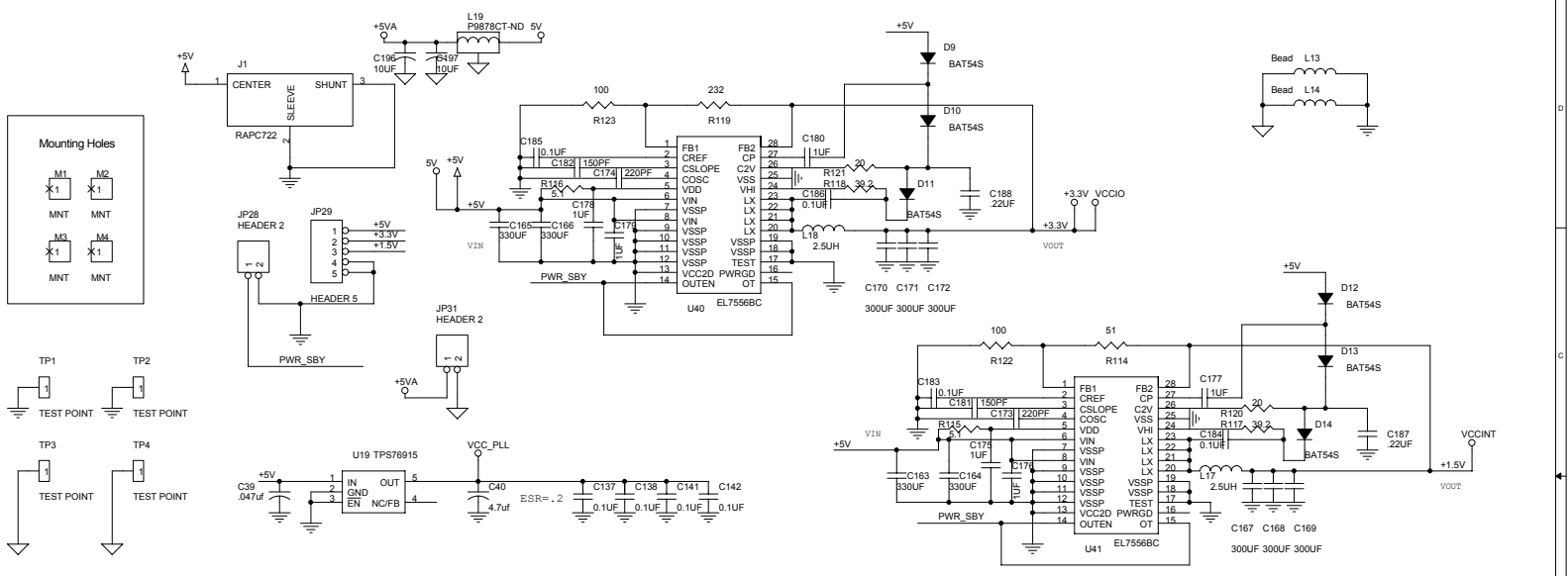
Title		<Title>
Size	Document Number	Rev
B	<Doc>	<RevCode>
Date:	Saturday, May 03, 2003	Sheet 4 of 17

EVALIO_IN[44..0]

EVALIO_OUT[44..0]

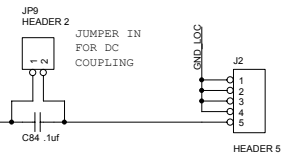
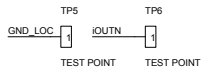
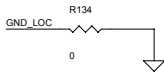
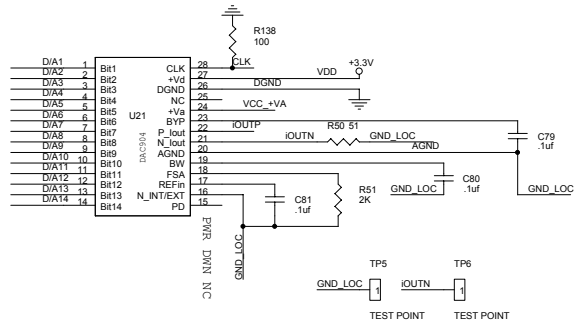
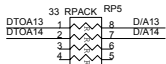
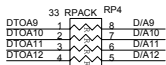
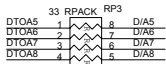
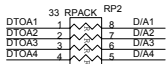
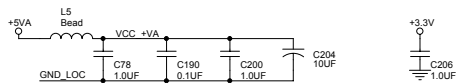


File	<Title>	
Size	Document Number	Rev
B	<Doc>	<Rev Code>
Date	Saturday, May 03, 2003	Sheet 5 of 17



Title		<Title>
Size	Document Number	Rev
B	<Doc>	<Rev Code>
Date:	Saturday, May 03, 2003	Sheet 6 of 17

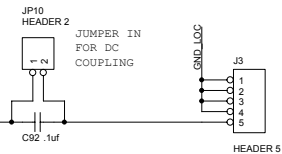
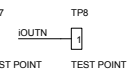
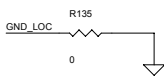
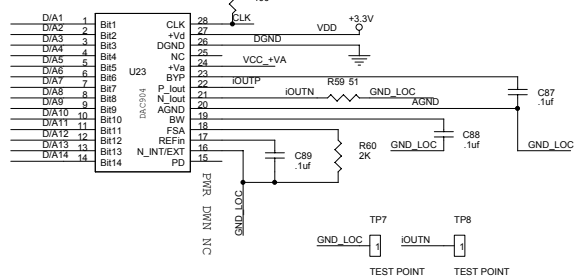
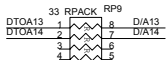
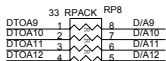
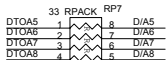
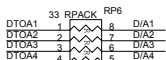
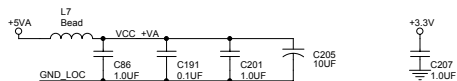
DTOA[14..1] DIA[14..1]
 DTOA_CLK CLK



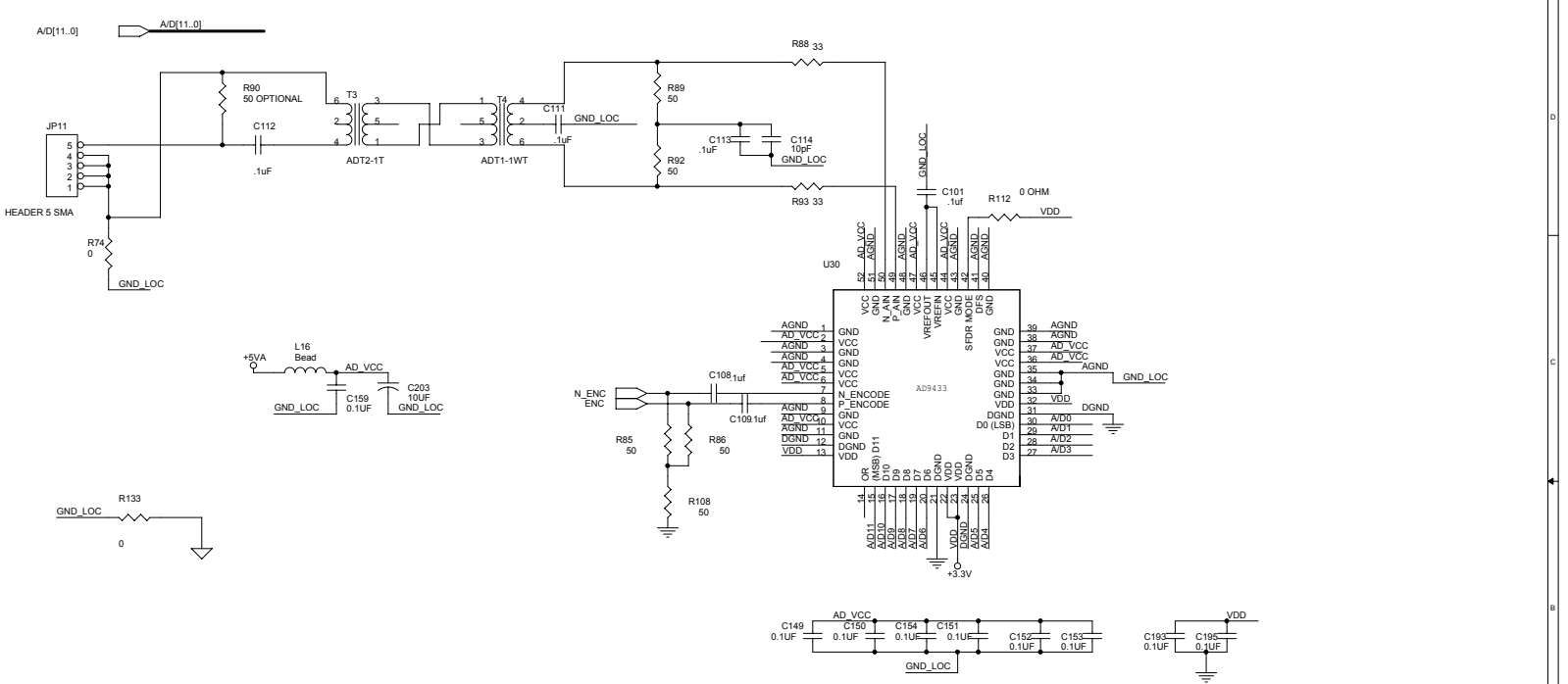
Title	<Title>
Size B	Document Number <Doc>
Date:	Wednesday, May 07, 2003 Sheet 7 of 17

<Rev Code>

DTOA[14..1] D/A[14..1]
 DTOA_CLK CLK



Title	<Title>	
Size	Document Number	Rev
B	<Doc>	<Rev Code>
Date:	Wednesday, May 07, 2003	Sheet 8 of 17

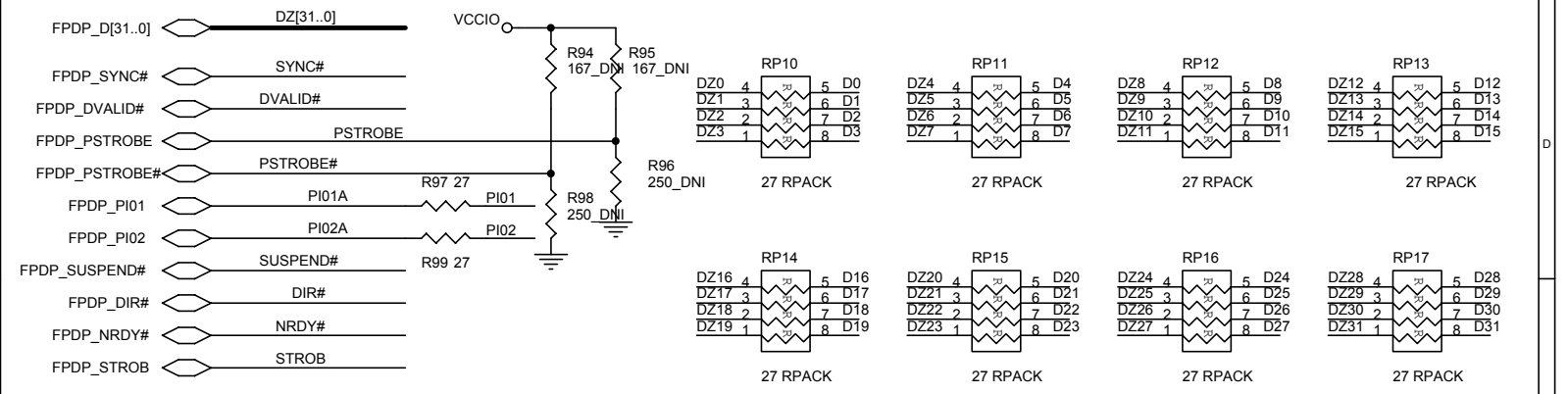


Title		<Title>
Size	Document Number	Rev
B	<Doc>	<RevCode>
Date:	Saturday, May 03, 2003	Sheet 9 of 17

BB1A		BB1B		BB1C		BB1D	
BB1	A1	A2	B1	A3	C1	A4	VCCIO
BB2	A2	B2	B2	A4	C2	A5	VCCIO
BB3	C1	B3	C2	A5	C3	A6	VCCIO
BB4	D1	A4	D2	B4	D3	A7	VCCIO
BB5	E1	A5	E2	B5	E3	A8	VCCIO
BB6	F1	A6	F2	B6	F3	A9	VCCIO
BB7	G1	A7	G2	B7	G3	A10	VCCIO
BB8	H1	A8	H2	B8	H3	A11	VCCIO
BB9	I1	A9	I2	B9	I3	A12	VCCIO
BB10	K1	A10	K2	B10	K3	A13	VCCIO
BB11	L1	A11	L2	B11	L3	A14	VCCIO
BB12	M1	A12	M2	B12	M3	A15	VCCIO
BB13	N1	A13	N2	B13	N3	A16	VCCIO
BB14	P1	A14	P2	B14	P3	A17	VCCIO
BB15	R1	A15	R2	B15	R3	A18	VCCIO
BB16	S1	A16	S2	B16	S3	A19	VCCIO
BB17	T1	A17	T2	B17	T3	A20	VCCIO
BB18	V1	A18	V2	B18	V3	A21	VCCIO
BB19	W1	A19	W2	B19	W3	A22	VCCIO
BB20	X1	A20	X2	B20	X3	A23	VCCIO
BB21	AA1	A21	AA2	B21	AA3	A24	VCCIO
BB22	AB1	A22	AB2	B22	AB3	A25	VCCIO
BB23	AC1	A23	AC2	B23	AC3	A26	VCCIO
BB24	AD1	A24	AD2	B24	AD3	A27	VCCIO
BB25	AE1	A25	AE2	B25	AE3	A28	VCCIO
BB26	AF1	A26	AF2	B26	AF3	A29	VCCIO
BB27	AG1	A27	AG2	B27	AG3	A30	VCCIO
BB28	AH1	A28	AH2	B28	AH3		
BB29	AI1	A29	AI2	B29	AI3		
BB30	AK1	A30	AK2	B30	AK3		

BB240		BB240		BB240		BB240	
BB1E	AS	BB1F	F1	BB1G	G1	BB1H	H1
	BS		F2		G2		H2
	CS		F3		G3		H3
	DS		F4		G4		H4
	ES		F5		G5		H5
	FS		F6		G6		H6
	GS		F7		G7		H7
	HS		F8		G8		H8
	IS		F9		G9		H9
	KS		F10		G10		H10
	LS		F11		G11		H11
	MS		F12		G12		H12
	NS		F13		G13		H13
	OS		F14		G14		H14
	PS		F15		G15		H15
	RS		F16		G16		H16
	TS		F17		G17		H17
	US		F18		G18		H18
	VS		F19		G19		H19
	WS		F20		G20		H20
	XS		F21		G21		H21
	YS		F22		G22		H22
	ZS		F23		G23		H23
	AA1		F24		G24		H24
	AB1		F25		G25		H25
	AC1		F26		G26		H26
	AD1		F27		G27		H27
	AE1		F28		G28		H28
	AF1		F29		G29		H29
	AG1		F30		G30		H30

Title		<Title>	
Size	Document Number	Rev	<Rev Code>
B	<Doc>		
Date:	Saturday, May 03, 2003	Sheet	10 of 17



J4A

GND	1	
GND	5	
DIR	9	DIR#
SUSPEND	13	SUSPEND#
PIO2	17	PIO2
RESERVED	21	
PSTROBE	25	PSTROBE#
SYNC	29	SYNC#
D31	33	D31
D28	37	D28
GND	41	
D23	45	D23
D20	49	D20
GND	53	
D15	57	D15
D12	61	D12
GND	65	
D07	69	D7
D04	73	D4
GND	77	

ROW A

J4B

STROB	2	STROB
GND	6	
GND	10	
GND	14	
GND	18	
GND	22	
GND	26	
GND	30	
GND	34	D30
GND	38	
GND	42	D25
GND	46	D22
GND	50	
D17	54	D17
D14	58	D14
GND	62	
D09	66	D9
D06	70	D6
GND	74	
D01	78	D1

ROW B

J4C

GND	3	
NRDY#	7	NRDY#
RESERVED	11	
GND	15	
GND	19	
PIO1	23	PIO1
RESERVED	27	
PSTROBE	31	PSTROBE#
DVALID	35	DVALID#
GND	39	
D27	43	D27
D24	47	D24
GND	51	
D19	55	D19
GND	59	
D16	63	D16
GND	67	
D11	71	D11
D08	75	D8
GND	79	
D03	83	D3
D00	87	D0

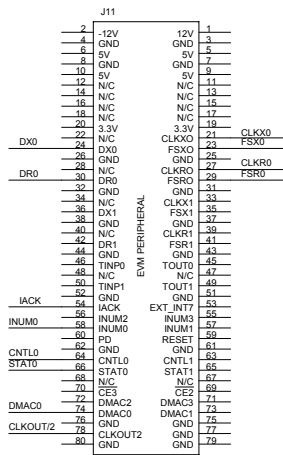
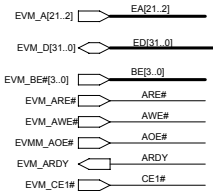
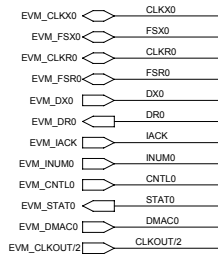
ROW C

J4D

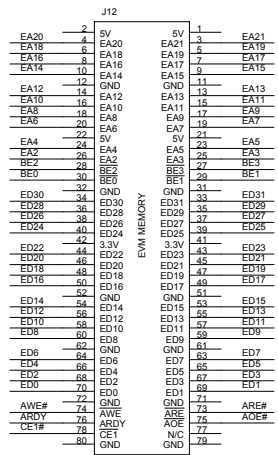
GND	4	
GND	8	
GND	12	
GND	16	
GND	20	
GND	24	
GND	28	
GND	32	
GND	36	D29
D29	40	D29
D26	44	D26
GND	48	
D21	52	D21
D18	56	D18
GND	60	
D13	64	D13
D10	68	D10
GND	72	
D05	76	D5
D02	80	D2
GND	84	

ROW D

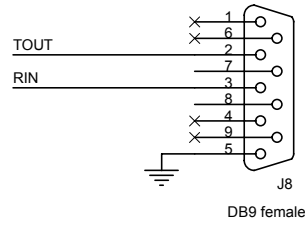
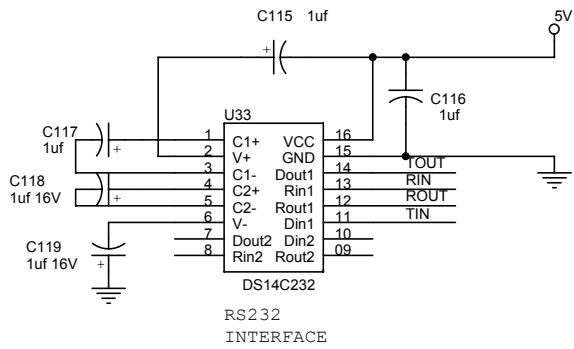
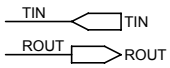
Title		
<Title>		
Size	Document Number	Rev
A	<Doc>	<RevCode>
Date:	Saturday, May 03, 2003	Sheet 11 of 17



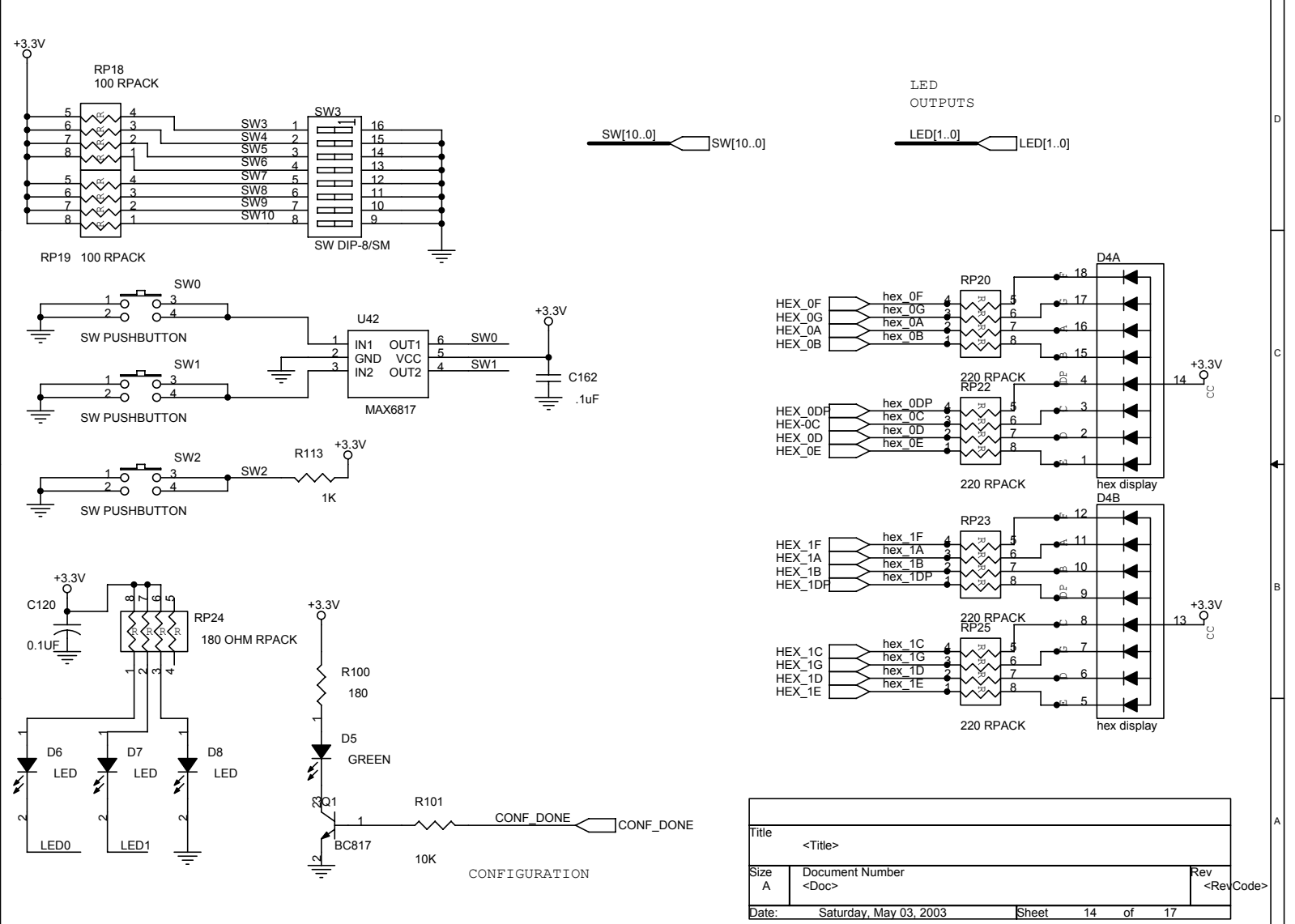
3.00" apart




Title	<Title>
Size B	Document Number
	<Doc>
Date	Saturday, May 03, 2003
Sheet	12 of 17
Rev	<Rev>
Code	<Code>

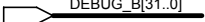


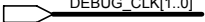
Title		
<Title>		
Size	Document Number	Rev
A	<Doc>	<RevCode>
Date:	Saturday, May 03, 2003	Sheet 13 of 17
	2	1

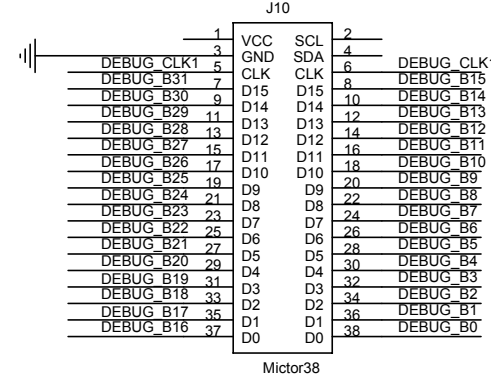
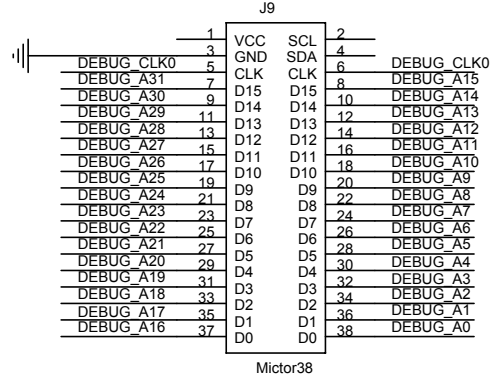


Title		
<Title>		
Size	Document Number	Rev
A	<Doc>	<RevCode>
Date: Saturday, May 03, 2003		Sheet 14 of 17

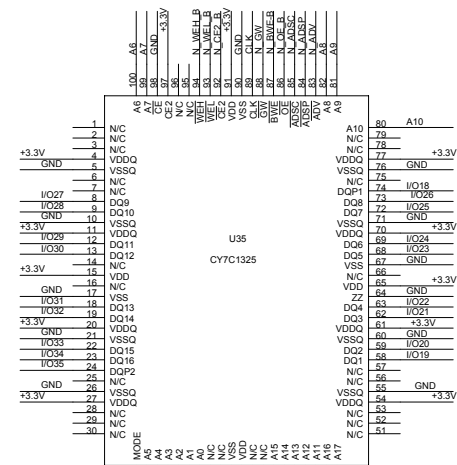
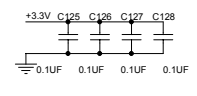
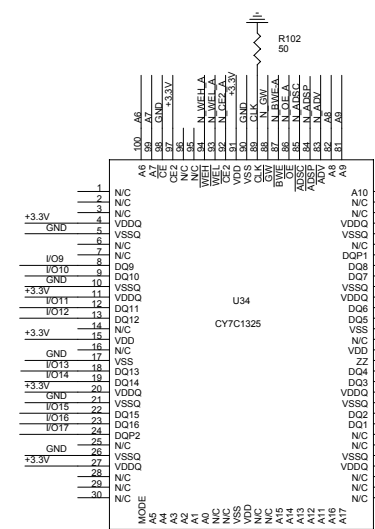
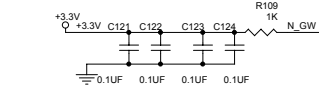
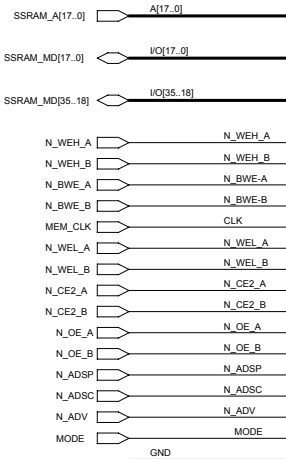
DEBUG_A[31..0]  DEBUG_A[31..0]

DEBUG_B[31..0]  DEBUG_B[31..0]

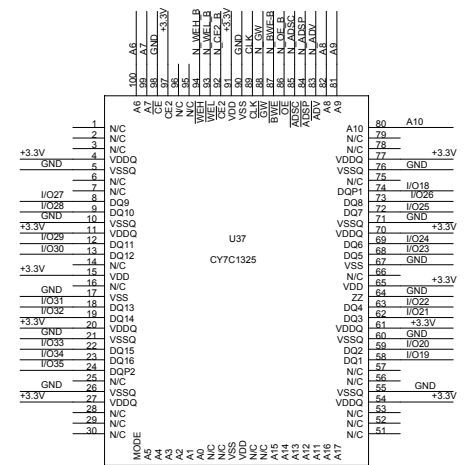
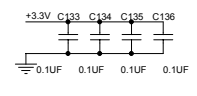
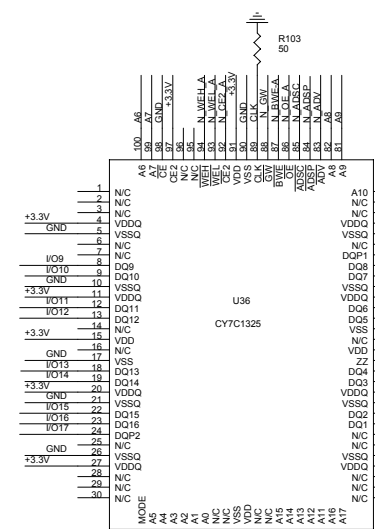
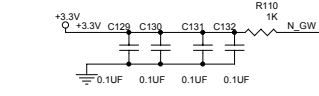
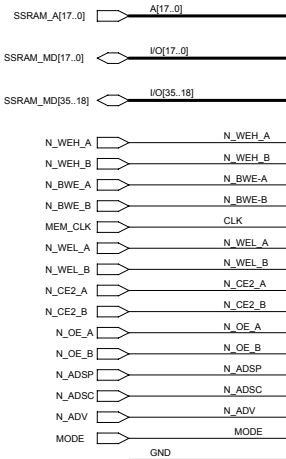
DEBUG_CLK[1..0]  DEBUG_CLK[1..0]



Title		
<Title>		
Size	Document Number	Rev
A	<Doc>	<Rev Code>
Date:	Saturday, May 03, 2003	Sheet 15 of 17



Title	<Title>
Size	Document Number
B	<Doc>
Date:	Saturday, May 03, 2003
Sheet	16 of 17
Rev	<Rev Code>



Title	<Title>	
Size	Document Number	Rev
B	<Doc>	<Rev Code>
Date:	Saturday, May 03, 2003	Sheet 17 of 17