

Introduction

This errata sheet provides updated information on Stratix® II GX devices. This document addresses known device issues and includes methods to work around the issues.



For more information on Stratix II GX device errata, refer to the *Stratix II Family Issues* section of the [Stratix II FPGA Family Errata Sheet](#). All information in that section pertains to both Stratix II and Stratix II GX devices.

Table 1 shows the specific issues and which Stratix II GX devices each issue affects.

Table 1. Stratix II GX Family Issues (Part 1 of 2)		
Issue	Affected Devices	Fixed Devices
<p><i>Stratix II GX Device Handbook</i> (Volume 1: version 3.0 and Volume 2: version 3.2) incorrectly indicates that the 1.2-V HSTL I/O standard is supported on I/O banks 3, 4, and 7 in all speed grade devices. However, the 1.2-V HSTL I/O standard is supported only on I/O banks 4, 7, and 8 and only in the -3 speed grade.</p> <p>Quartus® II software version 6.0 SP1 and earlier incorrectly supports 1.2V-HSTL on I/O bank 3 in -3 devices. Quartus II software version 6.0 SP1 with Patch 1.18 or version 6.1 and later will correctly support 1.2-V HSTL on bank 8 instead of on bank 3 in -3 devices.</p>	All Stratix II GX devices	Not Applicable

Table 1. Stratix II GX Family Issues (Part 2 of 2)

Issue	Affected Devices	Fixed Devices
<p>In the XAUI operating mode, the Stratix II GX rate matcher might insert a duplicate Start column (S), causing corruption of the data packet.</p> <p>Altera® has implemented a solution for this issue in the Quartus II software version 7.1.</p>	<p>This issue is for the XAUI operating mode in Stratix II GX devices.</p>	
<p>In Basic double-width mode, the Stratix II GX rate matcher may insert skip characters after the start of packet under certain conditions. This causes corruption of the data packet. See “Basic Double-Width Mode Illegal Skip Characters Insertion” on page 5 for more information.</p> <p>Altera provides two work-arounds:</p> <ul style="list-style-type: none"> ● Protocol Work-Around—If the protocol on the upstream transmitter can be modified to send a column of skip characters immediately before the start of packet, the issue will not occur. ● Quartus II Work-Around—Ensure that the Enable insertion or deletion of consecutive skip characters or ordered sets option (found on the BASIC1 screen of the ALT2GXB MegaWizard) is unchecked. 	<p>This issue is for the Basic double-width mode with Rate Matcher in Stratix II GX devices</p>	<p>Not Applicable</p>

Stratix II GX Device Family Issues

The following issues affect all Stratix II GX device densities.

1.2-V HSTL Support Issue

The 1.2-V HSTL support issue relates to both the Stratix II GX technical documentation and the Quartus II software.

Documentation

The Stratix II GX Device Handbook (Volume 1: version 3.0 and Volume 2: version 3.2) incorrectly indicates that the 1.2-V HSTL I/O standard is supported on I/O banks 3, 4, and 7 in all speed grade devices. The 1.2-V HSTL I/O standard is only supported on banks 4, 7, and 8 and only in the -3 speed grade. Volume 1 (version 3.1) and Volume 2 (version 3.3) of the handbook correct this error.

Quartus II Software Version 6.0 SP1

Quartus II software version 6.0 SP1 and earlier incorrectly supports 1.2-V HSTL on I/O banks 3, 4, and 7 in -3 speed grade devices. Quartus II software version 6.0 SP1 with Patch 1.18 or version 6.1 and later will correctly support 1.2-V HSTL on banks 4, 7, and 8 instead of banks 3, 4, and 7 in -3 speed grade devices.

Solution

Case 1: You had planned to implement 1.2-V HSTL on bank 3 of Stratix II GX -3 speed grade devices.

1. Install the Quartus II 6.0 SP1 software.
2. Install the Quartus II 6.0 Patch 1.18.
(http://www.altera.com/support/kdb/rd08092006_527.html)
3. Move all 1.2-V HSTL signals to bank 4, 7, or 8 and recompile.

Case 2: 1.2-V HSTL is already implemented on I/O bank 3 of Stratix II GX -3 speed grade devices (board layout is done).

Altera recommends re-spinning the board to move 1.2-V HSTL signals to bank 4, 7, or 8 and recompiling the design with Quartus II software version 6.0 with Patch 1.18 or Quartus II software version 6.1 and later. If a board re-spin is not possible, contact Altera Technical Services for support.

Case 3: You had planned to implement 1.2-V HSTL in Stratix II GX -4 or -5 speed grade devices.

Recompile the design to a -3 speed grade device with Quartus II software version 6.0 with Patch 1.18 or Quartus II version 6.1 and later.

XAU1 Mode Duplicate Start Column

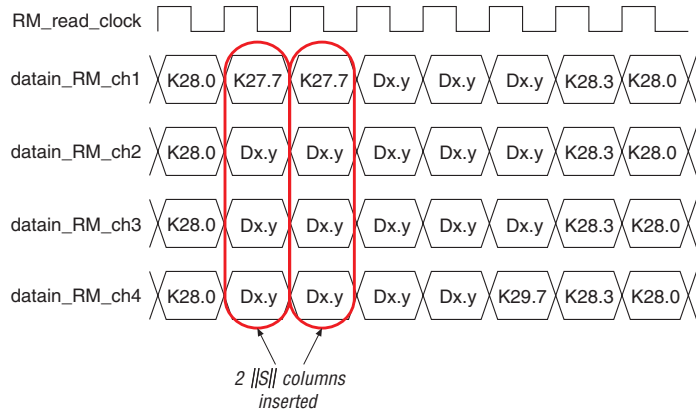
In the XAU1 operating mode, the Stratix II GX rate matcher might insert a duplicate Start Column (||S||), causing corruption of the data packet.

The rate matcher performs clock rate compensation between the local reference clock and the remote end reference clock by inserting or deleting Skip ordered sets (||R|| [||K28.0||]) from the encoded Idle stream.

When the rate matcher has to insert $\|R\|$ for clock rate compensation, there are instances where the rate matcher inserts a duplicate $\|S\|$. This duplication causes packet corruption. The duplication of $\|S\|$ happens only when the rate matcher block's insertion logic has to insert multiple $\|R\|$ columns before the $\|S\|$ column. This is shown in [Figure 1](#).

This issue is limited to the XAUI operating mode.

Figure 1. Rate Matcher Duplicating $\|S\|$ Column



Solution

Altera has implemented a solution for this issue in the Quartus II software version 7.1.

If you have implemented a Stratix II GX XAUI design in versions prior to the Quartus II software version 7.1, recompile your design in the Quartus II software version 7.1.

Table 2 provides links to the locations where you can acquire software patches if you must continue using the Quartus II software version 6.1 or 7.0 for your design.

Software Version	Operating System	Link
6.1	Windows	ftp.altera.com/outgoing/hsio_apps_patches/stratixiigx_patches/pc_quartus_ii_61_siigx_patch_0_64.exe
	Linux	ftp.altera.com/outgoing/hsio_apps_patches/stratixiigx_patches/linux_quartus_ii_61_siigx_patch_0_64.tar
	Solaris	ftp.altera.com/outgoing/hsio_apps_patches/stratixiigx_patches/solaris_quartus_ii_61_siigx_patch_0_64.tar
7.0	Windows	ftp.altera.com/outgoing/hsio_apps_patches/stratixiigx_patches/pc_quartus_ii_70_siigx_patch_0_06.exe
	Linux	ftp.altera.com/outgoing/hsio_apps_patches/stratixiigx_patches/linux_quartus_ii_70_siigx_patch_0_06.tar
	Solaris	ftp.altera.com/outgoing/hsio_apps_patches/stratixiigx_patches/solaris_quartus_ii_70_siigx_patch_0_06.tar

Basic Double-Width Mode Illegal Skip Characters Insertion

In Basic double-width mode, the Stratix II GX rate matcher may insert skip characters after the start of packet under certain conditions, as explained below. This causes corruption of the data packet.

Conditions

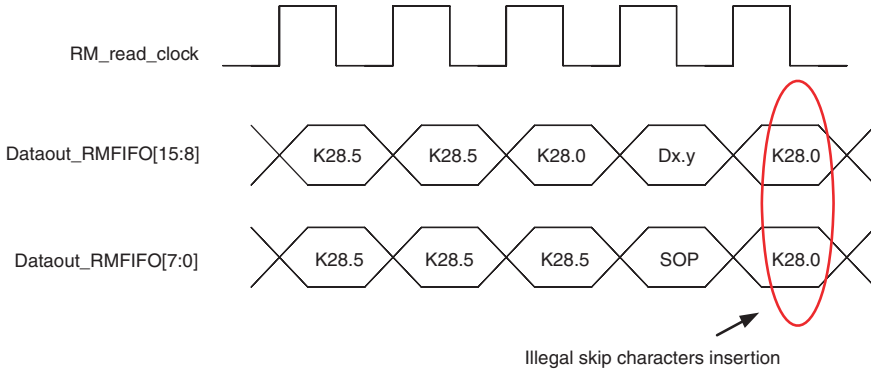
The rate matcher performs clock rate compensation between the local reference clock and the remote end reference clock by inserting or deleting two bytes of skip characters (both high byte and low byte locations) in the inter packet gap (IPG). This issue is limited only to Basic double-width mode. You can program the skip and control character in the ALT2GXB MegaWizard® Plug-In Manager.

The rate matcher inserts skip characters after the start of packet under the following conditions:

- if the rate matcher has to insert skip characters for clock compensation **AND**
- the control and the skip characters are received in the lower and upper byte of the data stream, respectively, immediately before the start of packet (SOP)

Figure 2 shows an example of illegal insertion with /K28.0/ and /K28.5/ programmed as skip and control characters, respectively.

Figure 2. Illegal Insertion of /R/ Characters After the Start of Packet (SOP)



Solution

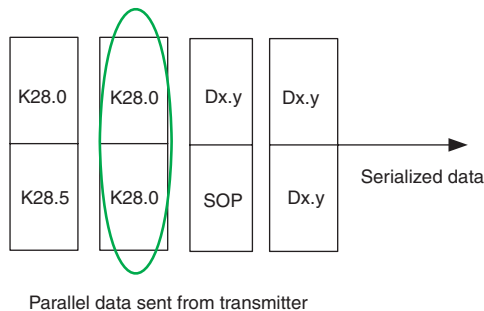
Altera provides two work-arounds for this issue. They are:

- Protocol Work-Around
- Quartus II Software Work-Around

Protocol Work-Around


If the protocol on the upstream transmitter can be modified to send a column of skip characters immediately before the start of packet, the issue will not happen (as shown in Figure 3).

Figure 3. Parallel Data Sent from Transmitter



Quartus II Software Work-Around

Quartus II software version 7.2 provides an **Enable insertion or deletion of consecutive skip characters or ordered sets** option in the ALT2GXB MegaWizard (**BASIC1** screen). By default, this option is unchecked to work-around the issue.

 When this option is unchecked, the rate matcher does not insert or delete back-to-back skip characters.

If you check this option, you should follow the “Protocol Work-Around” on page 6 to prevent illegal insertion of skip characters.

Tables 3 and 4 provide links to the locations where you can acquire software patches if you must use Quartus II software version 7.1 or Quartus II software version 7.1SP1. Download the appropriate patch and recompile the design. For Quartus II software 7.0 or earlier versions, Altera recommends you move to Quartus II software version 7.2.

Operating System	Links
Windows	ftp://ftp.altera.com/outgoing/hsio_apps_patches/stratixiigx_patches/pc_quartus_ii_71_siigx_patch_0_26.zip
Linux	ftp://ftp.altera.com/outgoing/hsio_apps_patches/stratixiigx_patches/linux_quartus_ii_71_siigx_patch_0_26.zip
Solaris	ftp://ftp.altera.com/outgoing/hsio_apps_patches/stratixiigx_patches/solaris_quartus_ii_71_siigx_patch_0_26.zip

Operating System	Links
Windows	ftp://ftp.altera.com/outgoing/hsio_apps_patches/stratixiigx_patches/pc_quartus_ii_71sp1_siigx_patch_1_26.zip
Linux	ftp://ftp.altera.com/outgoing/hsio_apps_patches/stratixiigx_patches/linux_quartus_ii_71sp1_siigx_patch_1_26.zip
Solaris	ftp://ftp.altera.com/outgoing/hsio_apps_patches/stratixiigx_patches/solaris_quartus_ii_71sp1_siigx_patch_1_26.zip

Referenced Document

This errata sheet references the following document:

- [Stratix II FPGA Family Errata Sheet](#)

Document Revision History

Table 5 shows the revision history for this chapter.

Date and Document Version	Changes Made	Summary of Changes
October 2007, v1.2	Added the “ Basic Double-Width Mode Illegal Skip Characters Insertion ” section.	—
	Added the “ Referenced Document ” and “ Document Revision History ” sections.	—
July 2007, v1.1	Added the “ XAU Mode Duplicate Start Column ” section.	—
August 2006, v1.0	Initial release.	—



101 Innovation Drive
San Jose, CA 95134
www.altera.com
Technical Support:
www.altera.com/support
Literature Services:
literature@altera.com

Copyright © 2007 Altera Corporation. All rights reserved. Altera, The Programmable Solutions Company, the stylized Altera logo, specific device designations, and all other words and logos that are identified as trademarks and/or service marks are, unless noted otherwise, the trademarks and service marks of Altera Corporation in the U.S. and other countries. All other product or service names are the property of their respective holders. Altera products are protected under numerous U.S. and foreign patents and pending applications, maskwork rights, and copyrights. Altera warrants performance of its semiconductor products to current specifications in accordance with Altera's standard warranty, but reserves the right to make changes to any products and services at any time without notice. Altera assumes no responsibility or liability arising out of the application or use of any information, product, or service described herein except as expressly agreed to in writing by Altera Corporation. Altera customers are advised to obtain the latest version of device specifications before relying on any published information and before placing orders for products or services.



I.S. EN ISO 9001